

DS-D100IKWF

Video Intercom Network Bundle

HiWatch
by HIKVISION

DS-D100IPF

Video Intercom Villa Door Station

ENGLISH

1 Appearance

- ① Microphone ② Camera ③ Indicator ④ Button ⑤ Card Reading Area
- ⑥ Loudspeaker ⑦ Terminals ⑧ Debugging Port ⑨ TAMPER
- ⑩ Set Screw ⑪ TF Card Slot ⑫ Network Interface

Note: Debugging port is used for debugging only.

Indicator Description

Unlock : Green Call: Orange Communicate: White

2 Terminal and Wiring

- NC: Door Lock Relay Output (NC) 485-: RS-485 Interface (Reserved)
- NO: Door Lock Relay Output (NO) 485+: RS-485 Interface (Reserved)
- COM: Common Interface 12 VDC IN: Power Supply Input
- AIN1: For the access of Door Contact GND: Grounding
- AIN3: For the access of Exit Button
- AIN2 & AIN4: Reserved

3 Installation Accessory

- ① Mounting Template ② Mounting Plate

Note: The dimension of the mounting plate is 102.58 mm × 39.24 mm × 6.2 mm.

4 Installation

Note: Video intercom villa door station supports surface mounting.

Before you begin:

- Make sure all related equipments are power-off during the installation.
- Tools that you need to prepare for installation: Drill (φ2.846) and gradienter.

★ Surface Mounting without Protective Shield

1. Stick the mounting template on the wall. Drill screw holes according to the mounting template.
- Remove the template from the wall.
2. Secure the mounting plate on the wall with 4 supplied screws according to the screw holes.
3. Install the villa door station to the mounting plate. Fix the device on the mounting plate with the set screw.

5 Configuration via Web

① Activate Device via Web

You are required to activate the device first by setting a strong password for it before you can use the device.

Default parameters of door station are as follows:

- Default IP Address: 192.0.0.65.
 - Default Port No.: 80.
 - Default User Name: admin.
1. Power on the device, and connect the device to the computer with network cable.
 2. Enter the IP address into the address bar of the web browser, and click Enter to enter the activation page.
 - Note: The computer and the device should belong to the same subnet.
 3. Create and enter a password into the password field.
 4. Confirm the password.
 5. Click OK to activate the device.

Note: When the device is not activated, the basic operation and remote configuration of device cannot be performed.

② Access to the Device by Web Browsers

1. In the browser address bar, enter the IP address of the device, and press the Enter key to enter the login page.
2. Enter the user name and password and click Login.

③ Communicate with Indoor Station

Note: Configure the room No. of the indoor station which is linked to the villa door station. Refer to Video Intercom Indoor Station User Manual for details.

1. Click Settings → Intercom → Press Button to Call to enter the settings page.
2. Set the parameters.
 - Edit call No. for every button. By default, you can press button to call room 1.
 - Check Call Management Center to set the button calling center.

Note: If you check Call Management Center and set the call No. as well, call management center has higher privilege than call No.

3. Press button to call indoor station.

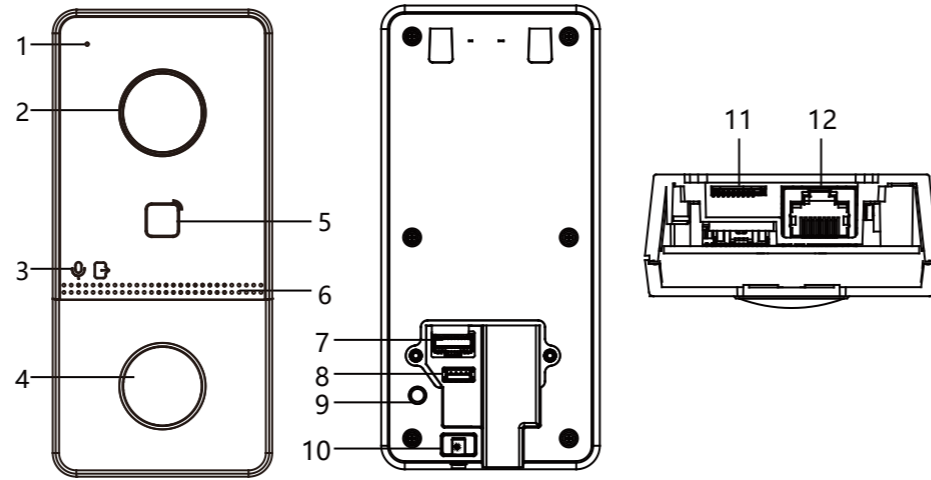
④ Issue Card

1. Click Settings → Access Control and Elevator Control to enter the corresponding settings page.
2. Click Issue Card. Present the card on the card reading area.
3. When issuing finished, the windows pop up on the settings page.
 - Only Mifare card supported, and Mifare card with non-standard shape is recommended.
 - Up to 10000 cards can be issued and managed by V series door station. A voice prompt (No more cards can be issued.) can be heard when the issued card amount exceeds the upper limit.

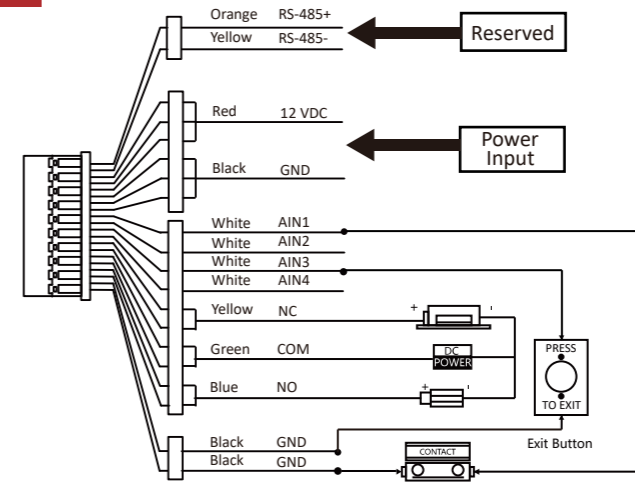
⑤ Unlock Door

After issuing cards, you can unlock the door by presenting the issued card.

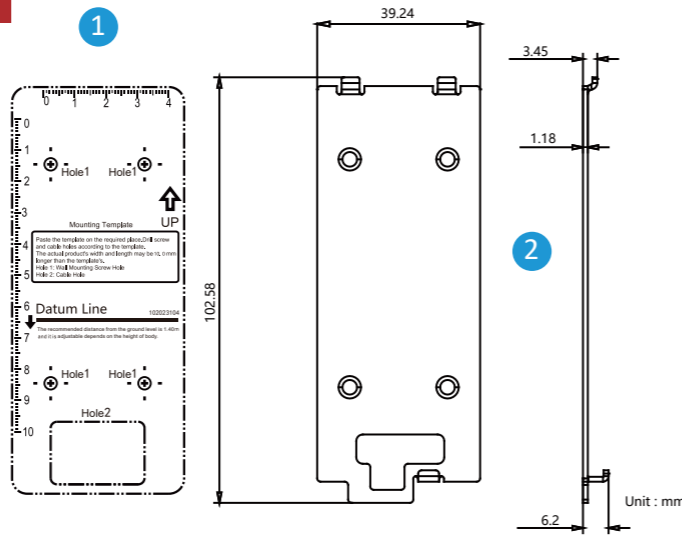
1



2



3



FCC Information

Please take attention that changes or modification not expressly approved by the party responsible for compliance could void the user's authority to operate the equipment.

FCC compliance: This equipment has been tested and found to comply with the limits for a Class B digital device, pursuant to part 15 of the FCC Rules. These limits are designed to provide reasonable protection against harmful interference in a residential installation. This equipment generates, uses and can radiate radio frequency energy and, if not installed and used in accordance with the instructions, may cause harmful interference to radio communications. However, there is no guarantee that interference will not occur in a particular installation. If this equipment does cause harmful interference to radio or television reception, which can be determined by turning the equipment off and on, the user is encouraged to try to correct the interference by one or more of the following measures:

- Reorient or relocate the receiving antenna.
- Increase the separation between the equipment and receiver.
- Connect the equipment into an outlet on a circuit different from that to which the receiver is connected.
- Consult the dealer or an experienced radio/TV technician for help.

This equipment should be installed and operated with a minimum distance 20cm between the radiator and your body.

FCC Conditions

This device complies with part 15 of the FCC Rules. Operation is subject to the following two conditions:

1. This device may not cause harmful interference.
2. This device must accept any interference received, including interference that may cause undesired operation.

EU Conformity Statement

This product and - if applicable - the supplied accessories too are marked with "CE" and comply therefore with the applicable harmonized European standards listed under the RE Directive 2014/53/EU, the EMC Directive 2014/30/EU, the RoHS Directive 2011/65/EU.

2006/66/EC (battery directive): This product contains a battery that cannot be disposed of as unsorted municipal waste in the European Union. See the product documentation for specific battery information. The battery is marked with this symbol, which may include lettering to indicate cadmium (Cd), lead (Pb), or mercury (Hg). For proper recycling, return the battery to your supplier or to a designated collection point. For more information see: www.recyclethis.info

2012/19/EU (WEEE directive): Products marked with this symbol cannot be disposed of as unsorted municipal waste in the European Union. For proper recycling, return this product to your local supplier upon the purchase of equivalent new equipment, or dispose of it at designated collection points. For more information see: www.recyclethis.info

IC statement

This device complies with Industry Canada licence-exempt RSS standard(s). Operation is subject to the following two conditions:

- (1) this device may not cause interference, and
- (2) this device must accept any interference, including interference that may cause undesired operation of the device.

Le présent appareil est conforme aux CNR d'Industrie Canada applicables aux appareils radioexempts de licence. L'exploitation est autorisée aux deux conditions suivantes :

- (1) l'appareil ne doit pas produire de brouillage, et
- (2) l'utilisateur de l'appareil doit accepter tout brouillage radioélectrique subi, même si le brouillage est susceptible d'en compromettre le fonctionnement.

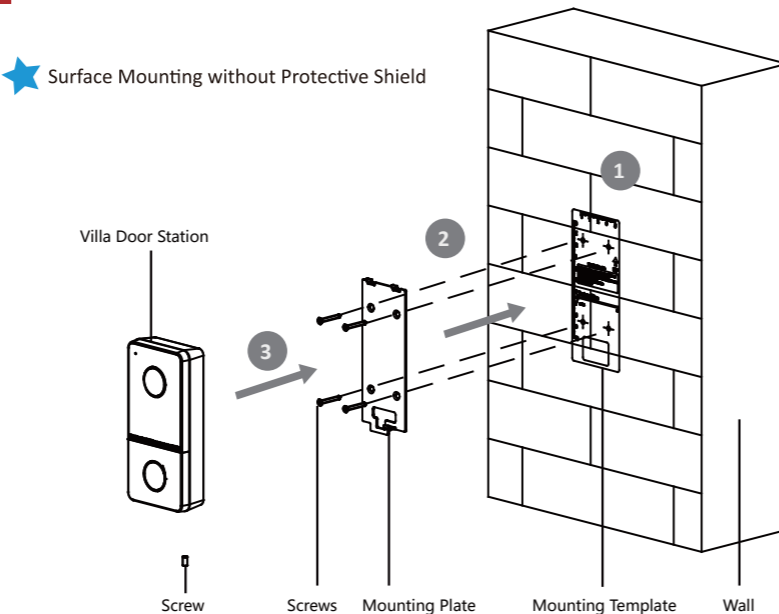
Under Industry Canada regulations, this radio transmitter may only operate using an antenna of a type and maximum (or lesser) gain approved for the transmitter by Industry Canada. To reduce potential radio interference to other users, the antenna type and its gain should be so chosen that the equivalent isotropically radiated power (e.i.r.p.) is not more than that necessary for successful communication.

Conformément à la réglementation d'Industrie Canada, le présent émetteur radio peut fonctionner avec une antenne d'un type et d'un gain maximal (ou inférieur) approuvé pour l'émetteur par Industrie Canada. Dans le but de réduire les risques de brouillage radioélectrique à l'intention des autres utilisateurs, il faut choisir le type d'antenne et son gain de sorte que la puissance isotrope rayonnée équivalente (p.i.r.e.) ne dépasse pas l'intensité nécessaire à l'établissement d'une communication satisfaisante.

This equipment complies with IC RSS-102 radiation exposure limits set forth for an uncontrolled environment. This equipment should be installed and operated with minimum distance 20cm between the radiator & your body.

ce matériel est conforme aux limites de dose d'exposition aux rayonnements, CNR-102 énoncée dans un autre environnement. cette equipment devrait être installé et exploité avec distance minimale de 20 entre le radiateur et votre corps.

4



6

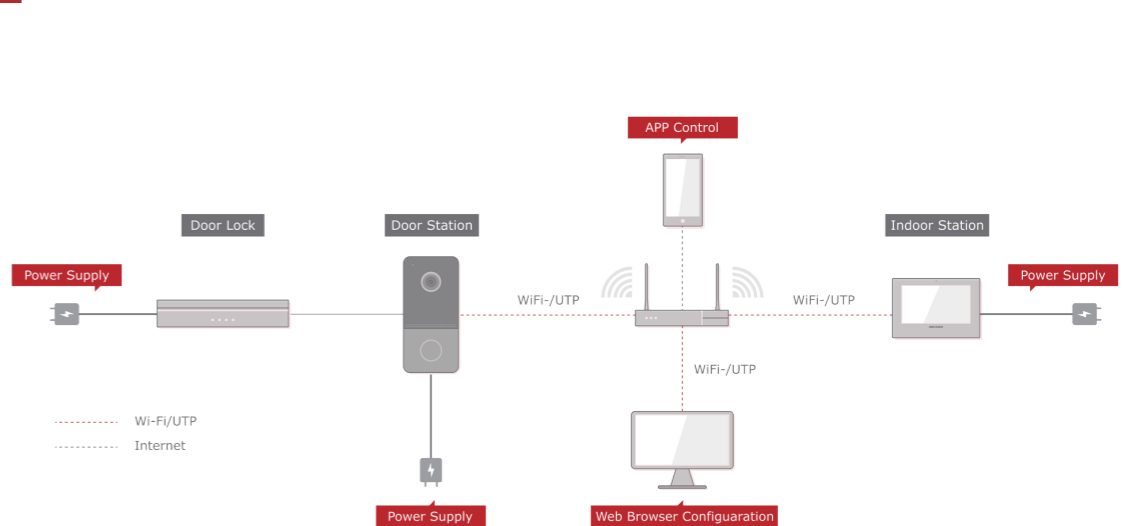


Diagram References

1 Appearance

- ① Display Screen
- ② Microphone
- ③ Debugging Port
- ④ Network Interface
- ⑤ Loudspeaker
- ⑥ TF Card Slot
- ⑦ Alarm Terminal
- ⑧ Power Terminal

Note: The debugging port is used for debugging only.

2 Wiring

There are 20 pins in the terminal on the rear panel of the indoor station: 2 RS-485 pins, 5 reserved pins, 4 relay outputs, 8 alarm input pins, and 1 GND pin.

3 Installation

The wall mounting plate and the junction box are required to install the indoor station onto the wall.

The dimension of junction box should be 75 mm (width) × 75 mm (length) × 50 mm (depth).

The dimension of wall mounting plate is shown.

Before you begin:

1. Make sure the device in the package is in good condition and all the assembly parts are included.
2. The power supply the indoor station supports is 12 VDC. Please make sure your power supply matches your indoor station.
3. Make sure all the related equipment is power-off during the installation.
4. Check the product specification for the installation environment.
5. Here takes wall mounting with junction box for example.

★ Wall Mounting with Junction Box

1. Chisel a hole in the wall. The size of the hole should be 76 mm (width) × 76 mm (length) × 50 mm (depth).
2. Insert the junction box to the hole chiseled on the wall.
3. Fix the wall mounting plate to the junction box with 2 screws.
4. Hook the indoor station to the wall mounting plate tightly by inserting the plate hooks into the slots on the rear panel of the indoor station, during which the lock catch will be locked automatically.

★ Wall Mounting without Junction Box

1. Insert 2 expansion tubes into the wall.
2. Fix the wall mounting plate to the wall with 2 screws.
3. Hook the indoor station to the wall mounting plate tightly by inserting the plate hooks into the slots on the rear panel of the indoor station, during which the lock catch will be locked automatically.

4 Getting Started

1 Activate Indoor Station

You are required to activate the device first by setting a strong password for it before you can use the device.

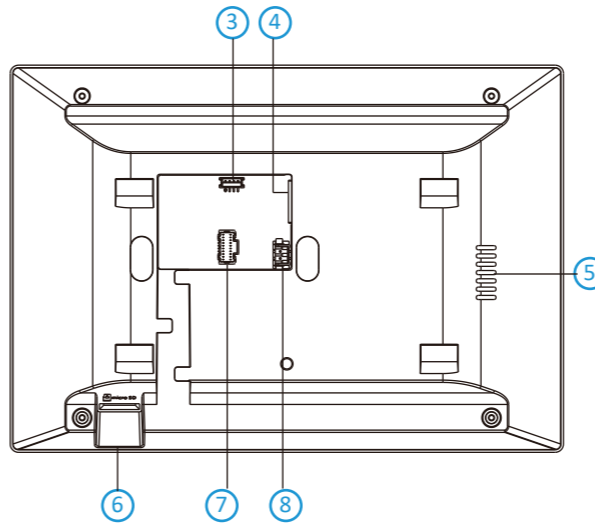
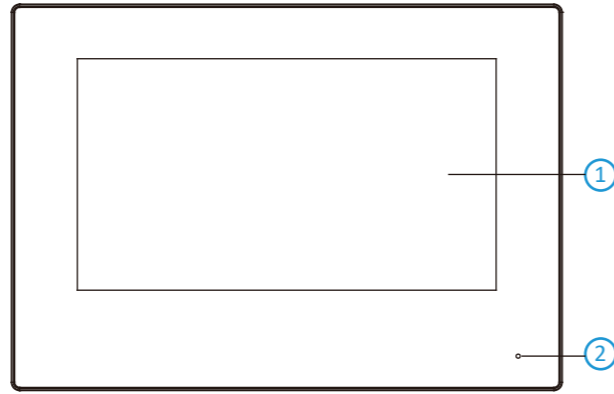
1. Power on the device. It will enter the activation page automatically.
2. Create a password and confirm it.
3. Tap OK to activate the indoor station.

Note: We highly recommend you to create a strong password of your own choosing (using a minimum of 8 characters, including at least three kinds of following categories: upper case letters, lower case letters, numbers, and special characters) in order to increase the security of your product. And we recommend you reset your password regularly, especially in the high security system, resetting the password monthly or weekly can better protect your product.

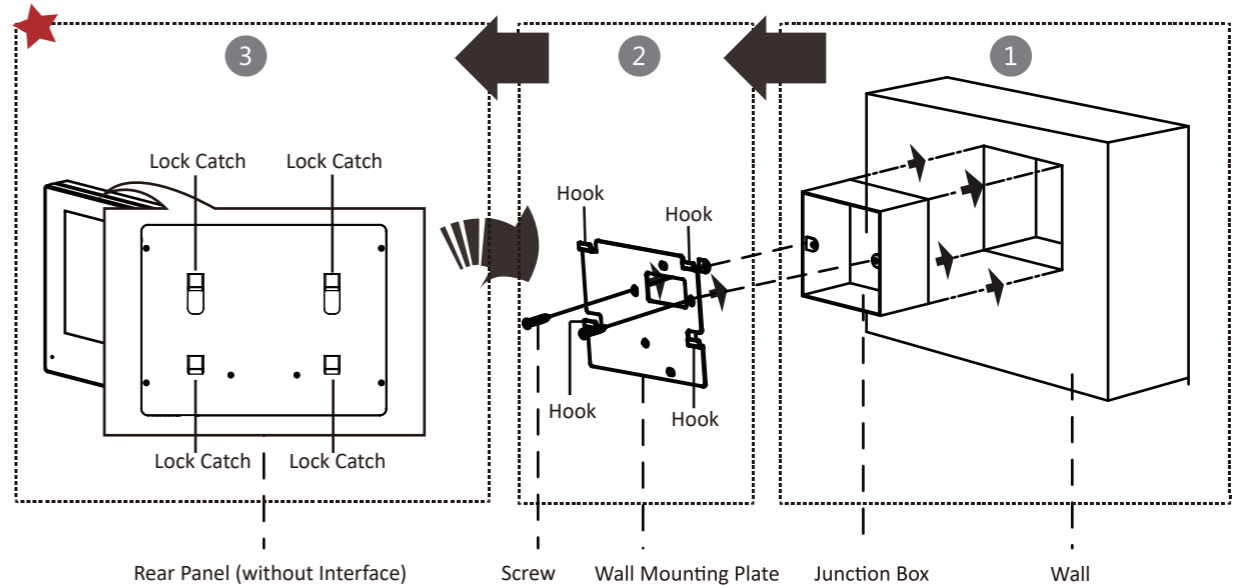
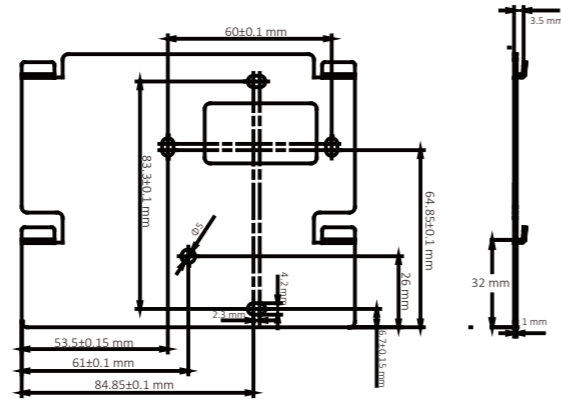
2 Quick Configuration

1. Choose Language and tap Next.
2. Set network parameters and tap Next.
 - Edit Local IP, Subnet Mask and Gateway parameters.
 - Enable DHCP, the device will get network parameters automatically.
3. Configure the indoor station and tap Next.
 - a. Choose Indoor Station Type.
 - b. Edit Floor and Room No.
4. Linked related devices and tap Next. If the device and the indoor station are in the same LAN, the device will be displayed in the list. Tap the device or enter the serial No. to link.
 - a. Tap the door station in the list to link.
 - b. Tap the settings icon to pop up the Network Settings page.
 - c. Edit the network parameters of the door station manually or enable DHCP to get the network parameters automatically.
 - d. Optional: Enable Synchronize Language to synchronize the Language of door station with indoor station.
 - e. Tap OK to save the settings.
5. Tap Finish to save the settings.

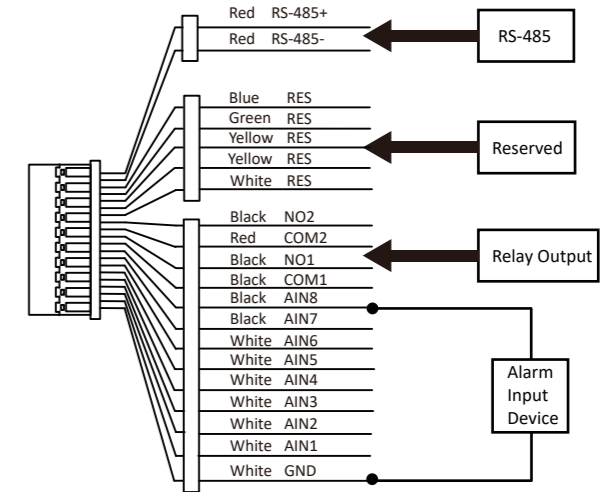
1



3



2



Safety Instruction

⚠ Warnings

- All the electronic operation should be strictly compliance with the electrical safety regulations, fire prevention regulations and other related regulations in your local region.
- Please use the power adapter, which is provided by normal company. The power consumption cannot be less than the required value.
- Do not connect several devices to one power adapter as adapter overload may cause over-heat or fire hazard.
- Please make sure that the power has been disconnected before you wire, install or dismantle the device.
- When the product is installed on wall or ceiling, the device shall be firmly fixed.
- If smoke, odors or noise rise from the device, turn off the power at once and unplug the power cable, and then please contact the service center.
- If the product does not work properly, please contact your dealer or the nearest service center. Never attempt to disassemble the device yourself. (We shall not assume any responsibility for problems caused by unauthorized repair or maintenance.)

⚠ Cautions

- Do not drop the device or subject it to physical shock, and do not expose it to high electromagnetic radiation. Avoid the equipment installation on vibrations surface or places subject to shock (ignorance can cause equipment damage).
- Do not place the device in extremely hot (refer to the specification of the device for the detailed operating temperature), cold, dusty or damp locations, and do not expose it to high electromagnetic radiation.
- The device cover for indoor use shall be kept from rain and moisture.
- Exposing the equipment to direct sun light, low ventilation or heat source such as heater or radiator is forbidden (ignorance can cause fire danger).
- Do not aim the device at the sun or extra bright places. A blooming or smear may occur otherwise (which is not a malfunction however), and affecting the endurance of sensor at the same time.
- Please use the provided glove when open up the device cover, avoid direct contact with the device cover, because the acidic sweat of the fingers may erode the surface coating of the device cover.
- Please use a soft and dry cloth when clean inside and outside surfaces of the device cover, do not use alkaline detergents.
- Please keep all wrappers after unpack them for future use. In case of any failure occurred, you need to return the device to the factory with the original wrapper. Transportation without the original wrapper may result in damage on the device and lead to additional costs.
- Improper use or replacement of the battery may result in hazard of explosion. Replace with the same or equivalent type only. Dispose of used batteries according to the instructions provided by the battery manufacturer.

Consignes de sécurité

⚠ Avertissements :

- Tous les éléments électroniques doivent respecter à la lettre la réglementation locale sur la sécurité des installations électriques, sur la prévention des incendies et des réglementations connexes en vigueur.
- Utilisez un adaptateur fourni par une entreprise agréée. La consommation électrique ne doit pas être inférieure à la valeur exigée.
- Ne branchez pas plusieurs appareils sur un même adaptateur ; toute surcharge de l'adaptateur pouvant entraîner sa surchauffe ou provoquer un incendie.
- Veillez à bien déconnecter la source d'alimentation avant de câbler, installer ou démonter l'appareil.
- Lors de l'installation au mur ou au plafond, assurez-vous que l'appareil est bien fixé.
- Si l'appareil dégage de la fumée ou une odeur suspecte, ou s'il émet des bruits inhabituels, éteignez-le et débranchez le câble d'alimentation, puis contactez le SAV.
- Si le produit ne fonctionne pas correctement, contactez votre revendeur ou le SAV le plus proche. Vous ne devez en aucun cas essayer de démonter le produit vous-même. (Nous déclinons toute responsabilité en cas de problèmes découlant d'une intervention ou d'une réparation effectuée sans autorisation.)

⚠ Précautions

- Évitez de faire tomber l'appareil, de le heurter et de l'exposer à des rayonnements électromagnétiques de forte intensité. Évitez d'installer l'équipement sur des surfaces vibrantes ou à des emplacements subissant des chocs fréquents (au risque de l'endommager).
- N'installez pas l'appareil à un emplacement trop chaud ou trop froid (reportez-vous à la spécification de l'appareil pour connaître la température de fonctionnement précise), poussiéreux ou humide. Ne l'exposez pas non plus à des rayonnements électromagnétiques élevés.
- Le capot de l'appareil pour installation intérieure ne doit pas être exposé à la pluie, ni à l'humidité.
- Il est formellement interdit d'exposer l'équipement directement au soleil, à un environnement mal ventilé ou à une source de chaleur telle qu'une chaudière ou un radiateur (au risque de provoquer un incendie).
- N'orientez pas l'appareil vers le soleil ou des sources de lumière très vive. Dans le cas contraire, un voile ou des traînées risquent de se former (ce qui ne constitue toutefois pas un dysfonctionnement) et la résistance du capteur peut également être affectée.
- Utilisez le gant fourni pour ouvrir le capot du dôme et évitez tout contact direct avec celui-ci, l'acidité de la sudation des doigts pouvant éroder le revêtement du capot de l'appareil.
- Utilisez un chiffon doux et sec pour nettoyer les surfaces intérieures et extérieures du capot de l'appareil. N'utilisez pas de détergents alcalins.
- Conservez tous les emballages ; ils pourront vous resservir ultérieurement. En cas de panne, renvoyez l'appareil à l'usine dans son emballage d'origine. Si l'appareil est transporté hors de son emballage d'origine, il risque d'être abîmé, entraînant des frais supplémentaires.
- Une mauvaise utilisation de la batterie ou un remplacement erroné peut entraîner un risque d'explosion. Ne la remplacez que par une batterie identique ou de type équivalent. Mettez les batteries usagées au rebut conformément aux instructions du fabricant.

Product Information

©2019 Hangzhou Hikvision Digital Technology Co., Ltd. It includes instructions on how to use the Product. The software embodied in the Product is governed by the user license agreement covering that Product.

This Manual is subject to domestic and international copyright protection. Hangzhou Hikvision Digital Technology Co., Ltd. ("Hikvision") reserves all rights to this manual. This manual cannot be reproduced, changed, translated, or distributed, partially or wholly, by any means, without the prior written permission of Hikvision.

Trademarks
HIKVISION and other Hikvision marks are the property of Hikvision and are registered trademarks or the subject of applications for the same by Hikvision and/or its affiliates. Other trademarks mentioned in this manual are the properties of their respective owners. No right of license is given to use such trademarks without express permission.

Legal Disclaimer
 TO THE MAXIMUM EXTENT PERMITTED BY APPLICABLE LAW, THE PRODUCT DESCRIBED, WITH ITS HARDWARE, SOFTWARE AND FIRMWARE, IS PROVIDED "AS IS", WITH ALL FAULTS AND ERRORS, AND HIKVISION MAKES NO WARRANTIES, EXPRESS OR IMPLIED, INCLUDING WITHOUT LIMITATION, MERCHANTABILITY, SATISFACTORY QUALITY, FITNESS FOR A PARTICULAR PURPOSE, AND NON-INFRINGEMENT OF THIRD PARTY. IN NO EVENT WILL HIKVISION, ITS DIRECTORS, OFFICERS, EMPLOYEES, OR AGENTS BE LIABLE TO YOU FOR ANY SPECIAL, CONSEQUENTIAL, INCIDENTAL, OR INDIRECT DAMAGES, INCLUDING, AMONG OTHERS, DAMAGES FOR LOSS OF BUSINESS PROFITS, BUSINESS INTERRUPTION, OR LOSS OF DATA OR DOCUMENTATION, IN CONNECTION WITH THE USE OF THIS PRODUCT, EVEN IF HIKVISION HAS BEEN ADVISED OF THE POSSIBILITY OF SUCH DAMAGES. REGARDING TO THE PRODUCT WITH INTERNET ACCESS, THE USE OF PRODUCT SHALL BE WHOLLY AT YOUR OWN RISKS. HIKVISION SHALL NOT TAKE ANY RESPONSIBILITIES FOR ABNORMAL OPERATION, PRIVACY LEAKAGE OR OTHER DAMAGES RESULTING FROM CYBER ATTACK, HACKER ATTACK, VIRUS INSPECTION, OR OTHER INTERNET SECURITY RISKS; HOWEVER, HIKVISION WILL PROVIDE TIMELY TECHNICAL SUPPORT IF REQUIRED. SURVEILLANCE LAWS VARY BY JURISDICTION. PLEASE CHECK ALL RELEVANT LAWS IN YOUR JURISDICTION BEFORE USING THIS PRODUCT IN ORDER TO ENSURE THAT YOUR USE CONFORMS THE APPLICABLE LAW. HIKVISION SHALL NOT BE LIABLE IN THE EVENT THAT THIS PRODUCT IS USED WITH ILLEGITIMATE PURPOSES. IN THE EVENT OF ANY CONFLICTS BETWEEN THIS MANUAL AND THE APPLICABLE LAW, THE LATER PREVAILS. Data Protection

During the use of device, personal data will be collected, stored and processed. To protect data, the development of Hikvision devices incorporates privacy by design principles. For example, for device with facial recognition features, biometrics data is stored in your device with encryption method; for fingerprint device, only fingerprint template will be saved, which is impossible to reconstruct a fingerprint image. As data controller, you are advised to collect, store, process and transfer data in accordance with the applicable data protection laws and regulations, including without limitation, conducting security controls to safeguard personal data, such as, implementing reasonable administrative and physical security controls, conduct periodic reviews and assessments of the effectiveness of your security controls.



DS-D100IMWF	ΕΛΛΗΝΙΚΑ
Video Intercom Network Indoor Station	
Αναφορές διαγράμματος	

- Εμφάνιση**
 - Θόνη
 - Μικρόφωνο
 - Θύρα αντιμετώπισης σφαλμάτων
 - Διασύνδεση δικτύου
 - Ηχείο
 - Υποδοχή κάρτας TF
 - Τερματικό συναγερμού
 - Τερματικό ισχύος

Σημείωση: Η θύρα αντιμετώπισης σφαλμάτων χρησιμοποιείται μόνο για την αντιμετώπιση σφαλμάτων.

2 Καλωδίωση

Στο τερματικό στο πίσω πλαίσιο του εσωτερικού σταθμού υπάρχουν 20 ακίδες: 2 ακίδες RS-485, 5 θεομευμένες ακίδες, 4 ξερόδοι ρελέ, 8 ακίδες εισόδου συναγερμού και 1 ακίδα GND.

3 Εγκατάσταση

Η πλακέτα τοποθέτησης στον τοίχο και το κουτί σύνδεσης απαιτούνται για την εγκατάσταση του εσωτερικού σταθμού στον τοίχο.

Το κουτί σύνδεσης πρέπει να έχει διαστάσεις 75 mm (πλάτος) × 75 mm (μήκος) × 50 mm (βάθος). Οι διαστάσεις της πλακέτας τοποθέτησης στον τοίχο υποδεικνύονται.

Πριν ξεκινήσετε:

- Βεβαιωθείτε ότι η συσκευή στη συσκευασία βρίσκεται σε καλή κατάσταση και ότι περιλαμβάνονται όλα τα εξαρτήματα συναρμολόγησης.
- Το τροφοδοτικό που υποστηρίζει ο εσωτερικός σταθμός είναι 12 VDC. Βεβαιωθείτε ότι το τροφοδοτικό σας αντιστοιχεί στον εσωτερικό σταθμό.
- Βεβαιωθείτε ότι όλος ο σχετικός εξοπλισμός είναι απενεργοποιημένος κατά τη διάρκεια της εγκατάστασης.
- Ελέγξτε τις προδιαγραφές προϊόντος για το περιβάλλον εγκατάστασης.
- Ενδεικτικά υποδεικνύεται η τοποθέτηση στον τοίχο με κουτί σύνδεσης.

★ Τοποθέτηση στον τοίχο με κουτί σύνδεσης

- Ανοίξτε μια οπή στον τοίχο. Η οπή πρέπει να έχει διαστάσεις 76 mm (πλάτος) × 76 mm (μήκος) × 50 mm (βάθος).
- Τοποθετήστε το κουτί σύνδεσης στην οπή που ανοίξατε στον τοίχο.
- Στερεώστε την πλακέτα τοποθέτησης στον τοίχο στο κουτί σύνδεσης με 2 βίδες.
- Αναρτήστε τον εσωτερικό σταθμό στην πλακέτα τοποθέτησης στον τοίχο περνώντας τα άγκιστρα της πλακέτας στις υποδοχές στο πίσω πλαίσιο του εσωτερικού σταθμού, όπου ο μηχανισμός ασφάλισης κλειδώνει αυτόματα.

★ Τοποθέτηση στον τοίχο χωρίς κουτί σύνδεσης

- Τοποθετήστε 2 σωλίνες επέκτασης στον τοίχο.
- Στερεώστε την πλακέτα τοποθέτησης στον τοίχο με 2 βίδες.
- Αναρτήστε τον εσωτερικό σταθμό στην πλακέτα τοποθέτησης στον τοίχο περνώντας τα άγκιστρα της πλακέτας στις υποδοχές στο πίσω πλαίσιο του εσωτερικού σταθμού, όπου ο μηχανισμός ασφάλισης κλειδώνει αυτόματα.

4 Ξεκινώντας

1 Ενεργοποίηση του εσωτερικού σταθμού

Θα πρέπει να ενεργοποιήστε αρχικά τη συσκευή ορίζοντας έναν ισχυρό κωδικό πρόσβασης πριν τη χρήση της συσκευής.

- Ενεργοποιήστε τη συσκευή. Θα ανοίξει αυτόματα η σελίδα ενεργοποίησης.
- Δημιουργήστε έναν κωδικό πρόσβασης και επιβεβαιώστε τον.
- Πατήστε OK για να ενεργοποιήσετε τον εσωτερικό σταθμό.

Σημείωση: Συνιστούμε να δημιουργήσετε έναν ισχυρό κωδικό πρόσβασης της επιλογής σας (ο οποίος θα περιέχει τουλάχιστον 8 χαρακτήρες από τουλάχιστον τρεις από τις ακόλουθες κατηγορίες: κεφαλαία γράμματα, πεζά γράμματα, αριθμούς και ειδικούς χαρακτήρες) για να ενισχύσετε την ασφάλεια του προϊόντος σας. Επίσης, συνιστάται να πραγματοποιείτε τακτικά επαναφορά του κωδικού πρόσβασής σας. Ειδικά στο σύστημα υψηλής ασφάλειας, μπορείτε να προσατεύσετε καλύτερα το προϊόν σας πραγματοποιώντας επαναφορά του κωδικού πρόσβασης σε μηνιαία ή εβδομαδιαία βάση.

2 Γρήγορη ρύθμιση παραμέτρων

- Επιλέξτε Γλώσσα και πατήστε Επόμενο.
- Ρυθμίστε τις παραμέτρους δικτύου και πατήστε Επόμενο.
 - Επεξεργαστείτε τις παραμέτρους Τοπική διεύθυνση IP, Μάσκα υποδικτύου και Πύλη.
 - Ενεργοποιήστε την επιλογή DHCP και η συσκευή θα λάβει αυτόματα τις παραμέτρους δικτύου.
- Ρυθμίστε τις παραμέτρους του εσωτερικού σταθμού και πατήστε Επόμενο.
 - Επιλέξτε Τύπος εσωτερικού σταθμού.
 - Επεξεργαστείτε τον όροφο και τον αριθμό αίθουσας.
- Συνδέστε τις σχετικές συσκευές και πατήστε Επόμενο. Αν η συσκευή και ο εσωτερικός σταθμός βρίσκονται στο ίδιο LAN, η συσκευή θα εμφανιστεί στη λίστα. Αγγίξτε τη συσκευή ή εισαγάγετε τον αρ. σειράς για σύνδεση.
 - Αγγίξτε το σταθμό πόρτας στη λίστα για σύνδεση.
 - Αγγίξτε το εικονίδιο ρυθμίσεων για να ανοίξει η σελίδα Ρυθμίσεις δικτύου.
 - Επεξεργαστείτε τις παραμέτρους δικτύου του σταθμού πόρτας μη αυτόματα ή ενεργοποιήστε την επιλογή DHCP για αυτόματη λήψη των παραμέτρων δικτύου.
 - Προαιρετικά: Ενεργοποιήστε την επιλογή Συγχρονισμός γλώσσας για συγχρονισμό της γλώσσας του σταθμού πόρτας με τον εσωτερικό σταθμό.
 - Αγγίξτε OK για αποθήκευση των ρυθμίσεων.
- Αγγίξτε Τέλος για αποθήκευση των ρυθμίσεων.

DS-D100IMWF	РУССКИЙ
Video Intercom Network Indoor Station	
Пояснения к рисункам	

1 Внешний вид

- Экран монитора
- Микрофон
- Порт отладки
- сетевой интерфейс
- Динамик
- Слот для карты TF
- Разъем сигнала тревоги
- Клеммы питания

Примечание. порт отладки используется только для отладки.

2 Подключение кабелей

На задней панели внутренней станции имеется 20 контактов: 2 контакта RS-485, 5 резервных контактов, 4 контакта релейного выхода, 8 контактов входа аварийных сигналов и 1 контакт заземления.

3 Установка

Для установки внутренней станции на стену требуется монтажная панель и монтажная коробка. Размер монтажной коробки: 75 мм (ширина) × 75 мм (длина) × 50 мм (глубина).

Размер монтажной панели показан на иллюстрации.

Прежде чем начать:

- Убедитесь, что устройство в упаковке находится в исправном состоянии, а комплект поставки полон.
- Внутренняя станция поддерживает электропитание с напряжением 12 В пост. тока. Убедитесь, что параметры источника электропитания отвечают параметрам внутренней станции.
- Убедитесь, что во время монтажных работ все оборудование выключено.
- Изучите технические требования к установке устройства.
- В качестве примера приведен настенный монтаж с использованием монтажной коробки.

★ Настенный монтаж с использованием монтажной коробки

- Просверлите отверстие в стене. Размер отверстия: 76 мм (ширина) × 76 мм (длина) × 50 мм (глубина).
- Вставьте монтажную коробку в отверстие в стене.
- Прикрепите настенную монтажную пластину к монтажной коробке при помощи 2 винтов.
- Надежно зафиксируйте внутреннюю станцию на монтажной пластине: вставьте крепления пластины в отверстия на задней панели внутренней станции, при этом задвижка крепления защелкнется автоматически.

★ Настенный монтаж без монтажной коробки

- Монтируйте в стену 2 расширительные трубки.
- Прикрепите настенную монтажную пластину к стене с помощью 2 винтов.
- Надежно зафиксируйте внутреннюю станцию на монтажной пластине: вставьте крепления пластины в отверстия на задней панели внутренней станции, при этом задвижка крепления защелкнется автоматически.

4 Начало работы

1 Активация внутренней станции

Перед использованием устройства необходимо сначала его активировать и установить надежный пароль.

- Включите питание устройства. Страница активации откроется автоматически.
- Создайте пароль и подтвердите его.
- Нажмите «OK» для активации внутренней станции.

Примечание. Чтобы повысить безопасность вашего продукта, настоятельно рекомендуется создать надежный пароль (не менее 8 символов по крайней мере из трех следующих категорий: буквы верхнего регистра, буквы нижнего регистра, цифры и специальные символы). Также рекомендуется регулярно обновлять пароль. Ежемесячная или еженедельная смена пароля позволит сделать использование продукта безопасным.

2 Быстрая настройка

- Выберите язык и нажмите «Далее».
- Задайте параметры сети и нажмите «Далее».
 - Задайте параметры локального IP-адреса, маски подсети и шлюза.
 - Включите протокол DHCP, устройство автоматически получит параметры сети.
- Настройте внутреннюю станцию и нажмите «Далее».
 - Выберите тип внутренней станции.
 - Укажите этаж и № комнаты.
- Привяжите соответствующие устройства и нажмите «Далее». Если устройство и внутренняя станция находятся в одной локальной сети, устройство отобразится в списке. Чтобы привязать устройство, нажмите на него или введите серийный №.
 - Чтобы привязать домофон, нажмите на него в списке.
 - Нажмите на значок настроек, чтобы перейти на страницу настроек сети.
 - Вручную задайте сетевые параметры домофона или включите протокол DHCP для автоматического получения сетевых параметров.
 - Дополнительно: включите синхронизацию языка для синхронизации языка домофона с внутренней станцией.
 - Нажмите «OK» для сохранения настроек.
- Нажмите «Готово» для сохранения настроек.